



Copper Canyon

48" and 52" Round Pools

Parts List

Copper Canyon Round Pool — Parts List

ITEM #	DESCRIPTION	12'		16'		18'		21'		24'		28'	
		PART #	QTY.	PART #	QTY.	PART #	QTY.	PART #	QTY.	PART #	QTY.	PART #	QTY.
	ASSEMBLY PACK - 48"	0-9912-713	1	0-9916-713	1	0-9918-713	1	0-9921-713	1	0-9924-713	1	0-9928-713	1
	ASSEMBLY PACK - 52"	0-9912-714	1	0-9916-714	1	0-9918-714	1	0-9921-714	1	0-9924-714	1	0-9928-714	1
1.	Plastic Coping, 24"	545-1001	22	545-1001	28	545-1001	30	545-1001	35	545-1001	40	545-1001	46
2.	Vertical End Cap	580-1619	20	580-1619	24	580-1619	28	580-1619	32	580-1619	36	580-1619	42
3.	Vertical Center Section - 48"	580-2225	10	580-2225	12	580-2225	14	580-2225	16	580-2225	18	580-2225	21
3.	Vertical Center Section - 52"	580-2239	10	580-2239	12	580-2239	14	580-2239	16	580-2239	18	580-2239	21
4.	Stabilizer Rail, small dia.	583-1012	6	583-1012	8	583-1012	9	583-1004	10	583-1004	11	583-1004	13
5.	Stabilizer Rail, large dia.	583-1011	6	583-1011	8	583-1011	9	583-1005	10	583-1005	11	583-1005	13
6.	Bottom Rail	589-1046	10	589-1047	12	589-1048	14	589-1049	16	589-1050	18	589-1051	21
7.	7" Outer Connector	580-2226	10	580-2226	12	580-2226	14	580-2226	16	580-2226	18	580-2226	21
8.	7" Skirt	580-2227	10	580-2227	12	580-2227	14	580-2227	16	580-2227	18	580-2227	21
9.	Inner Connector	5186-1215	10	5186-1215	12	5186-1215	14	5186-1215	16	5186-1215	18	5186-1215	21
*10.	Sheet Metal Screw #10x3/8" Type AB	330-1127	130	330-1127	156	330-1127	182	330-1127	208	330-1127	234	330-1127	275
11.	Pool Parts List	573-3551	1	573-3551	1	573-3551	1	573-3551	1	573-3551	1	573-3551	1
12.	Pool Installation Instructions	573-3190	1	573-3190	1	573-3190	1	573-3190	1	573-3190	1	573-3190	1
13.	"Safety First" Booklet	573-3169	1	573-3169	1	573-3169	1	573-3169	1	573-3169	1	573-3169	1
14.	—	—	—	—	—	—	—	—	—	—	—	—	—
15.	—	—	—	—	—	—	—	—	—	—	—	—	—
16.	—	—	—	—	—	—	—	—	—	—	—	—	—
17.	—	—	—	—	—	—	—	—	—	—	—	—	—
18.	Warranty Card - Metal	—	1	—	1	—	1	—	1	—	1	—	1
19.	—	—	—	—	—	—	—	—	—	—	—	—	—
	TOP RAIL PACK	0-9801-715	1	0-9812-715	1	0-9814-715	1	0-9816-715	1	0-9818-715	1	0-9821-715	1
20.	Top Rail	587-1698	10	587-1699	12	587-1699	14	587-1699	16	587-1699	18	587-1699	21
	VERTICAL PACK - 48"	0-9710-713	1	0-9712-713	1	0-9714-713	1	0-9716-713	1	0-9718-713	1	0-9721-713	1
21.	Vertical Side Section	580-2224	20	580-2224	24	580-2224	28	580-2224	32	580-2224	36	580-2224	42
	VERTICAL PACK - 52"	0-9710-714	1	0-9712-714	1	0-9714-714	1	0-9716-714	1	0-9718-714	1	0-9721-714	1
21.	Vertical Side Section	580-2240	20	580-2240	24	580-2240	28	580-2240	32	580-2240	36	580-2240	42
	POOL LINER CARTON												
***22.	Pool Liner	0-1248-___	1	0-1648-___	1	0-1848-___	1	0-2148-___	1	0-2448-___	1	0-2848-___	1
23.	Chlorine/Winterizing Instructions	573-2421	1	573-2421	1	573-2421	1	573-2421	1	573-2421	1	573-2421	1
24.	Installation Instruction Insert	369-1145	1	369-1145	1	369-1145	1	369-1145	1	369-1145	1	369-1145	1
25.	"Warning" Decal	560-1041	3	560-1041	3	560-1041	3	560-1041	3	560-1041	3	560-1041	3
26.	Warranty Card - Liner	—	1	—	1	—	1	—	1	—	1	—	1
**27.	Repair Patch	564-1000	1	564-1000	1	564-1000	1	564-1000	1	564-1000	1	564-1000	1
****28.	"Deeper Area" Decal	560-1042	2	560-1042	2	560-1042	2	560-1042	2	560-1042	2	560-1042	2
29.	"Shallow" Decal	560-1043	3	560-1043	3	560-1043	3	560-1043	3	560-1043	3	560-1043	3
30.	"Safety First" Booklet	573-3169	1	573-3169	1	573-3169	1	573-3169	1	573-3169	1	573-3169	1
	SIDEWALL CARTON												
31.	Sidewall - 48"	0-0710-012	1	0-0710-016	1	0-0710-018	1	0-0710-021	1	0-0710-024	1	0-0710-028	1
31.	Sidewall - 52"	0-1052-012	1	0-1052-016	1	0-1052-018	1	0-1052-021	1	0-1052-024	1	0-1052-028	1
32.	Joint Piece - 48"	580-1002	1	580-1002	1	580-1002	1	580-1002	1	580-1002	1	580-1002	1
32.	Joint Piece - 52"	580-1914	1	580-1914	1	580-1914	1	580-1914	1	580-1914	1	580-1914	1
33.	Large Cover Plate	—	—	—	—	—	—	—	—	—	—	—	1
34.	Small Cover Plate	—	—	—	—	—	—	—	—	—	—	—	1
35.	"Warning" Sign	560-1046	1	560-1046	1	560-1046	1	560-1046	1	560-1046	1	560-1046	1
36.	"Safety First" Booklet	573-3169	1	573-3169	1	573-3169	1	573-3169	1	573-3169	1	573-3169	1
37.	Adhesive Squares	310-1034	6	310-1034	6	310-1034	6	310-1034	6	310-1034	6	310-1034	6
38.	Safety Video	573-3498	1	573-3498	1	573-3498	1	573-3498	1	573-3498	1	573-3498	1

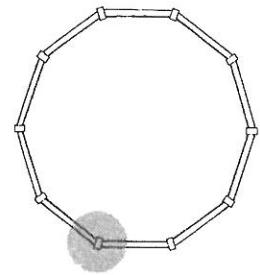
*Screws are available in most hardware stores.

**For additional patch kits order Part No. 0-5604-000.

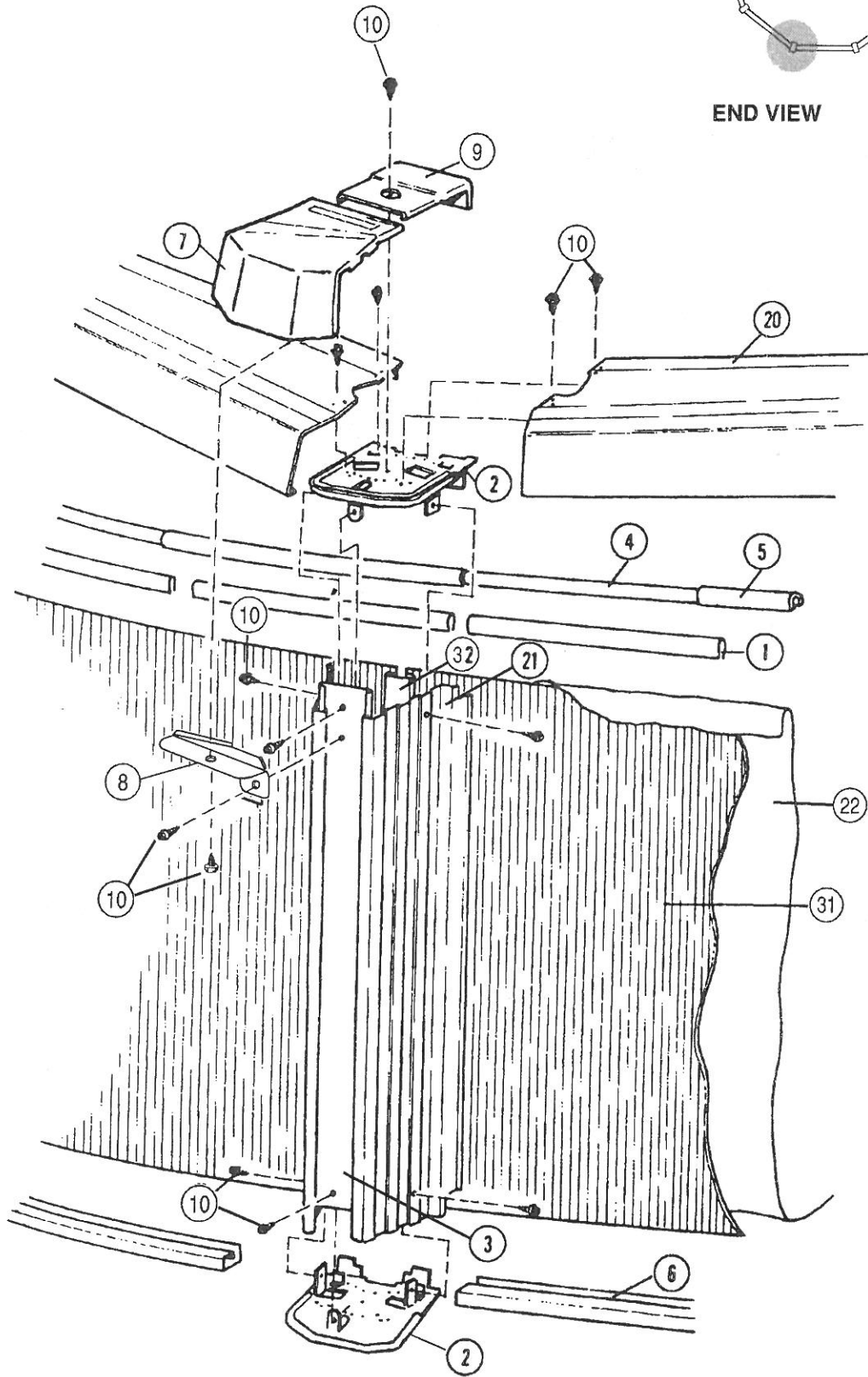
***Write the number of your liner in the spaces provided here and above. # _____.

**** Used only fro pools with deep swimming areas.

EXPLODED VIEW



END VIEW





Important! Above-ground pools are designed for swimming and wading only. **Do not Dive or Jump!** Misuse of your pool may result in crippling injury and/or other dangers to life and health. Do not use slides, diving boards, or any other platform or object which can be used for improper pool entry. Use only an above-ground swimming pool ladder or entry system to enter or exit your pool. **Never attempt to swim or reach behind ladders or any other pool entry system.** It is the pool owner's responsibility to secure the pool against unauthorized, unsupervised or unintentional entry. It is also the pool owner's responsibility to warn all pool users of the hazards of diving into shallow water: paralyzing injury may result. Always obey all safety rules. Remember, pool safety is everybody's responsibility.

Safety decals and caution information provided with your pool have been endorsed by the U.S. Consumer Product Safety Commission. It is mandatory that the pool owner and installer follow the installation and use directions for all provided safety signs and decals. Juveniles must be supervised at all times by a responsible adult as directed by the USCPSC.

Change of Design: Doughboy Recreational expressly reserves the right to change or modify the design and construction of any product in due course of their manufacturing procedures, without incurring any obligation to furnish or install such changes or modifications on products previously or subsequently sold.

DOUGHBOY RECREATIONAL • 315 North Sebastian St. • West Helena, AR 72390
Visit our website at www.doughboy-pools.com