



# Copper Canyon

## 48" and 52" Oval Pools

---

### Parts List



# Copper Canyon Oval Pools — Parts List

ITEM #	DESCRIPTION	20' x 12'		24' x 12'		28' x 12'		24' x 16'		28' x 16'	
		PART	#QTY.	PART	#QTY.	PART	QTY.	PART	#QTY.	PART #	QTY.
	ASSEMBLY PACK - 48"	0-9902-715	1	0-9942-715	1	0-9910-715	1	0-9946-713	1	0-9986-713	1
	ASSEMBLY PACK - 52"	0-9902-716	1	0-9942-716	1	0-9910-716	1	0-9946-714	1	0-9986-714	1
1.	Plastic Coping, 24"	545-1001	30	545-1001	33	545-1001	37	545-1001	36	545-1001	40
2.	Vertical End Cap	580-1619	20	580-1619	20	580-1619	20	580-1619	24	580-1619	24
3.	Side Vertical Cap	580-2056	4	580-2056	6	580-2056	8	580-2056	4	580-2056	6
4.	Vertical Center Section - 48"	580-2225	10	580-2225	10	580-2225	10	580-2225	12	580-2225	12
4.	Vertical Center Section - 52"	580-2239	10	580-2239	10	580-2239	10	580-2239	12	580-2239	12
5.	Stabilizer Rail, small dia.	583-1012	8	583-1012	8	583-1012	8	583-1012	10	583-1012	10
6.	Stabilizer Rail, large dia.	—	—	—	—	—	—	—	—	—	—
***6A.	Stabilizer Rail, large dia.	583-1011	10	583-1011	12	583-1011	14	583-1011	10	583-1011	12
7.	Bottom Rail (Stamped 12 or 16)	589-1046	12	589-1046	12	589-1046	12	589-1047	10	589-1047	10
8.	Side Rail (Stamped S)	589-1052	2	589-1052	4	589-1052	6	598-1052	2	589-1052	4
9.	Transition Rail (Stamped TR)	—	—	—	—	—	—	589-1053	4	589-1053	4
10.	7" Outer Connector	580-2226	14	580-2226	16	580-2226	18	580-2226	16	580-2226	18
11.	7" Buttress Skirt	580-2229	4	580-2229	6	580-2229	8	580-2229	4	580-2229	6
12.	Inner Connector	5186-1215	14	5186-1215	16	5186-1215	18	5186-1215	16	5186-1215	18
13.	7" Skirt	580-2227	10	580-2227	10	580-2227	10	580-2227	12	580-2227	12
*14.	#10 x 1/2" Lg. Hex Washer Hd. Screw	330-1127	162	330-1127	178	330-1127	194	330-1127	188	330-1127	204
*15.	Machine Screw, #10-24 x 1/2" pan head	510-1008	4	510-1008	6	510-1008	8	510-1008	4	510-1008	6
*16.	Square Nut, #10-24	321-1025	4	321-1025	6	321-1025	8	321-1025	4	321-1025	6
17.	Side Top Rail	587-1699	2	587-1699	4	587-1699	6	—	—	—	—
18.	Pool Parts List	573-3533	1	573-3533	1	573-3533	1	573-3533	1	573-3533	1
19.	Pool Installation Instructions	573-3308	1	573-3308	1	573-3308	1	573-3308	1	573-3308	1
20.	"Safety First" Booklet	573-3169	1	573-3169	1	573-3169	1	573-3169	1	573-3169	1
25.	Warranty Card - Metal	—	1	—	1	—	1	—	1	—	1
26.	—	—	—	—	—	—	—	—	—	—	—
27.	TOP RAIL PACK	0-9803-715	1	0-9803-715	1	0-9803-715	1	0-9816-715	1	0-9818-715	1
	Top Rail	587-1698	12	587-1698	12	587-1698	12	587-1699	16	587-1699	18
	POOL LINER CARTON										
****28.	Pool Liner	0-2012-___	1	0-2412-___	1	0-2812-___	1	0-2416-___	1	0-2816-___	1
29.	Chlorine/Winterizing Instructions	573-2421	1	573-2421	1	573-2421	1	573-2421	1	573-2421	1
30.	Installation Instruction Insert	369-1145	1	369-1145	1	369-1145	1	369-1145	1	369-1145	1
31.	"Warning" Decal	560-1041	3	560-1041	3	560-1041	3	560-1041	3	560-1041	3
32.	Warranty Card - Liner	—	1	—	1	—	1	—	1	—	1
**33.	Repair Patch	564-1000	1	564-1000	1	564-1000	1	564-1000	1	564-1000	1
****34.	"Deeper Area" Decal	560-1042	2	560-1042	2	560-1042	2	560-1042	2	560-1042	2
35.	"Shallow" Decal, 3-1/2 Ft.	560-1043	3	560-1043	3	560-1043	3	560-1043	3	560-1043	3
36.	"Safety First" Booklet	573-3169	1	573-3169	1	573-3169	1	573-3169	1	573-3169	1
	SIDEWALL CARTON										
37.	Sidewall - 48"	0-0710-002	1	0-0710-042	1	0-0710-010	1	0-0710-046	1	0-0710-086	1
37.	Sidewall - 52"	0-1052-002	1	0-1052-042	1	0-1052-010	1	0-1052-046	1	0-1052-086	1
38.	Joint Piece - 48"	580-1002	1	580-1002	1	580-1002	1	580-1002	1	580-1002	1
38.	Joint Piece - 52"	580-1914	1	580-1914	1	580-1914	1	580-1914	1	580-1914	1
39.	Large Cover Plate	—	—	—	—	—	—	—	—	—	—
40.	Small Cover Plate	—	—	—	—	—	—	—	—	—	—
41.	"Warning" Sign	560-1046	1	560-1046	1	560-1046	1	560-1046	1	560-1046	1
42.	"Safety First" Booklet	573-3169	1	573-3169	1	573-3169	1	573-3169	1	573-3169	1
43.	Adhesive Squares	310-1034	6	310-1034	6	310-1034	6	310-1034	6	310-1034	6
44.	Safety Video	573-3498	1	573-3498	1	573-3498	1	573-3498	1	573-3498	1
45.	VERTICAL PACK - 48"	0-9710-713	1	0-9710-713	1	0-9710-713	1	0-9712-713	1	0-9712-713	1
45.	Vertical Side Section	580-2224	20	580-2224	20	580-2224	20	580-2224	24	580-2224	24
45.	VERTICAL PACK - 52"	0-9710-714	1	0-9710-714	1	0-9710-714	1	0-9712-714	1	0-9712-714	1
45.	Vertical Side Section	580-2240	20	580-2240	20	580-2240	20	580-2240	24	580-2240	24
	SUPPORT BASE PACK 4 — CARTON	0-8888-204	1	—	—	0-8888-204	2	0-8888-204	1	—	—
	SUPPORT BASE PACK 6 — CARTON	—	—	0-8888-206	1	—	—	—	—	0-8888-206	1
46.	Skid Support	580-1779	4	580-1779	6	580-1779	8	580-1779	4	580-1779	6
47.	Ground Support - Top	580-2071	4	580-2071	6	580-2071	8	580-2071	4	580-2071	6
48.	Ground Support - Bottom	580-2072	4	580-2072	6	580-2072	8	580-2072	4	580-2072	6
49.	Pressure Pad - Outside	580-1869	4	580-1869	6	580-1869	8	580-1869	4	580-1869	6
50.	Pressure Pad - Side Vertical	580-1870	4	580-1870	6	580-1870	8	580-1870	4	580-1870	6
51.	Bottom Rail Locator	580-1792	4	580-1792	6	580-1792	8	580-1792	4	580-1792	6
*52.	Sheet Metal Screw, #12 x 3/4"	510-1035	24	510-1035	36	510-1035	48	510-1035	24	510-1035	36
*53.	Hex Head Bolt, 3/8 - 16 x 3-1/2"	330-1220	16	330-1220	24	330-1220	32	330-1220	16	330-1220	24
*54.	Hex Nut, 3/8 - 16	321-1069	16	321-1069	24	321-1069	32	321-1069	16	321-1069	24
*55.	Hex Head Screw, 1/4 - 20 x 1/2"	510-1018	16	510-1018	24	510-1018	32	510-1018	16	510-1018	24
*56.	Hex Nut 1/4 - 20	511-1000	16	511-1000	24	511-1000	32	511-1000	16	511-1000	24
*57.	Sheet Metal Screw, #10 x 1/2"	330-1127	24	330-1127	36	330-1127	48	330-1127	24	330-1127	36
	SUPPORT PACK 4 — CARTON - 48"	0-8848-408	1	—	—	0-8848-408	2	0-8848-408	1	—	—
	SUPPORT PACK 6 — CARTON - 48"	—	—	0-8848-608	1	—	—	—	—	0-8848-608	1
58.	Side Vertical - 48"	580-2228	4	580-2228	6	580-2228	8	580-2228	4	580-2228	6
	SUPPORT PACK 4 — CARTON - 52"	0-8852-408	1	—	—	0-8852-408	2	0-8852-408	1	—	—
	SUPPORT PACK 6 — CARTON - 52"	—	—	0-8852-608	1	—	—	—	—	0-8852-608	1
58.	Side Vertical - 52"	580-2142	4	580-2142	6	580-2142	8	580-2142	4	580-2142	6

\*Screws are available in most hardware stores.

\*\*For additional patch kits order Part No. 0-5604-000.

\*\*\*These stabilizers are 43 1/4" long and are used on the sides between the buttresses. Use all remaining small and large stabilizers on the ends of the pool.

\*\*\*\*Write the number of your liner in the spaces provided here and above. #\_\_\_\_\_.

\*\*\*\*\* Used only for pools with deep swimming areas.

# Copper Canyon Oval Pools — Parts List

ITEM #	DESCRIPTION	32' x 16'		34' x 18'		38' x 18'		41' x 21'	
		PART #	QTY.	PART #	QTY.	PART #	QTY.	PART #	QTY.
	ASSEMBLY PACK - 48"	0-9926-713	1	0-9948-713	1	0-9988-713	1	0-9911-713	1
	ASSEMBLY PACK - 52"	0-9926-714	1	0-9948-714	1	0-9988-714	1	0-9911-714	1
1.	Plastic Coping, 24"	545-1001	44	545-1001	46	545-1001	50	545-1001	55
2.	Vertical End Cap	580-1619	24	580-1619	28	580-1619	28	580-1619	32
3.	Side Vertical Cap	580-2056	8	580-2056	8	580-2056	10	580-2056	10
4.	Vertical Center Section - 48"	580-2225	12	580-2225	14	580-2225	14	580-2225	16
4.	Vertical Center Section - 52"	580-2239	12	580-2239	14	580-2239	14	580-2239	16
5.	Stabilizer Rail, small dia.	583-1012	10	583-1012	10	583-1012	10	583-1004	12
6.	Stabilizer Rail, large dia.	—	—	—	—	—	—	583-1005	10
***6A.	Stabilizer Rail, large dia.	583-1011	14	583-1011	16	583-1011	18	583-1011	8
7.	Bottom Rail (Stamped 16, 18 or 21)	589-1047	10	589-1048	16	589-1048	16	589-1049	14
8.	Side Rail (Stamped S)	589-1052	6	589-1052	6	589-1052	8	589-1052	8
9.	Transition Rail (Stamped TR)	589-1053	4	—	—	—	—	589-1053	4
10.	7" Outer Connector	580-2226	20	580-2226	22	580-2226	24	580-2226	26
11.	7" Buttress Skirt	580-2229	8	580-2229	8	580-2229	10	580-2229	10
12.	Inner Connector	5186-1215	20	5186-1215	22	5186-1215	24	5186-1215	26
13.	7" Skirt	580-2227	12	580-2227	14	580-2227	16	580-2227	16
*14.	#10 x 1/2" Lg. Hex Washer Hd. Screw	330-1127	220	330-1127	246	330-1127	262	330-1127	288
*15.	Machine Screw, #10-24 x 1/2" pan head	510-1008	8	510-1008	8	510-1008	10	510-1008	10
*16.	Square Nut, #10-24	321-1025	8	321-1025	8	321-1025	10	321-1025	10
17.	Side Top Rail	—	—	—	—	—	—	—	—
18.	Pool Parts List	573-3533	1	573-3533	1	573-3533	1	573-3533	1
19.	Pool Installation Instructions	573-3308	1	573-3308	1	573-3308	1	573-3308	1
20.	"Safety First" Booklet	573-3169	1	573-3169	1	573-3169	1	573-3169	1
25.	Warranty Card - Metal	—	1	—	1	—	1	—	1
26.	—	—	—	—	—	—	—	—	—
	TOP RAIL PACK	0-9810-715	2	0-9810-715	1	0-9812-715	2	0-9812-715	1
	—	—	—	0-9812-715	1	—	—	0-9814-715	1
27.	Top Rail	587-1699	20	587-1699	22	587-1699	24	587-1699	26
	POOL LINER CARTON	—	—	—	—	—	—	—	—
****28.	Pool Liner	0-3216-___	1	0-3418-___	1	0-3818-___	1	0-4121-___	1
29.	Chlorine/Winterizing Instructions	573-2421	1	573-2421	1	573-2421	1	573-2421	1
30.	Installation Instruction Insert	369-1145	1	369-1145	1	369-1145	1	369-1145	1
31.	"Warning" Decal	560-1041	3	560-1041	3	560-1041	3	560-1041	3
32.	Warranty Card - Liner	—	1	—	1	—	1	—	1
**33.	Repair Patch	564-1000	1	564-1000	1	564-1000	1	564-1000	1
34.	"Deeper Area" Decal	560-1042	2	560-1042	2	560-1042	2	560-1042	2
35.	"Shallow" Decal, 3-1/2 Ft.	560-1043	3	560-1043	3	560-1043	3	60-1043	3
36.	"Safety First" Booklet	573-3169	1	573-3169	1	573-3169	1	573-3169	1
	SIDEWALL CARTON	—	—	—	—	—	—	—	—
37.	Sidewall - 48"	0-0710-026	2	0-0710-048	2	0-0710-088	2	0-0710-011	2
37.	Sidewall - 52"	0-1052-026	2	0-1052-048	2	0-1052-088	2	0-1052-011	2
38.	Joint Piece - 48"	580-1002	2	580-1002	2	580-1002	2	580-1002	2
38.	Joint Piece - 52"	580-1914	2	580-1914	2	580-1914	2	580-1914	2
39.	Large Cover Plate	580-2236	2	580-2236	2	580-2236	2	580-2236	2
40.	Small Cover Plate	580-2235	2	580-2235	2	580-2235	2	580-2235	2
41.	"Warning" Sign	560-1046	2	560-1046	2	560-1046	2	560-1046	2
42.	"Safety First" Booklet	573-3169	2	573-3169	2	573-3169	2	573-3169	2
43.	Adhesive Squares	310-1034	12	310-1034	12	310-1034	12	310-1034	12
44.	Safety Video	573-3498	2	573-3498	2	573-3498	2	573-3498	2
	VERTICAL PACK - 48"	0-9712-713	1	0-9714-713	1	0-9714-713	1	0-9716-713	1
45.	Vertical Side Section - 48"	580-2224	24	580-2224	28	580-2224	28	580-2224	32
	VERTICAL PACK - 52"	0-9712-714	1	0-9714-714	1	0-9714-714	1	0-9716-714	1
45.	Vertical Side Section - 52"	580-2240	24	580-2240	28	580-2240	28	580-2240	32
	SUPPORT BASE PACK 4 — CARTON	0-8888-204	2	0-8888-204	2	0-8888-204	1	0-8888-204	1
	SUPPORT BASE PACK 6 — CARTON	—	—	—	—	0-8888-206	1	0-8888-206	1
46.	Skid Support	580-1779	8	580-1779	8	580-1779	10	580-1779	10
47.	Ground Support - Top	580-2071	8	580-2071	8	580-2071	10	580-2071	10
48.	Ground Support - Bottom	580-2072	8	580-2072	8	580-2072	10	580-2072	10
49.	Pressure Pad - Outside	580-1869	8	580-1869	8	580-1869	10	580-1869	10
50.	Pressure Pad - Side Vertical	580-1870	8	580-1870	8	580-1870	10	580-1870	10
51.	Bottom Rail Locator	580-1792	8	580-1792	8	580-1792	10	580-1792	10
*52.	Sheet Metal Screw, No. 12 x 3/4"	510-1035	48	510-1035	48	510-1035	60	510-1035	60
*53.	Hex Head Bolt, 3/8 - 16 x 3-1/2"	330-1220	32	330-1220	32	330-1220	40	330-1220	40
*54.	Hex Nut, 3/8 - 16	321-1069	32	321-1069	32	321-1069	40	321-1069	40
*55.	Hex Head Screw, 1/4 - 20 x 1/2"	510-1018	32	510-1018	32	510-1018	40	510-1018	40
*56.	Hex Nut 1/4 - 20	511-1000	32	511-1000	32	511-1000	40	511-1000	40
*57.	Sheet Metal Screw, No. 10 x 1/2"	330-1127	48	330-1127	48	330-1127	60	330-1127	60
	SUPPORT PACK 4 — CARTON - 48"	0-8848-408	2	0-8848-408	2	0-8848-408	1	0-8848-408	1
	SUPPORT PACK 6 — CARTON - 48"	—	—	—	—	0-8848-608	1	0-8848-608	1
58.	Side Vertical - 48"	580-2228	8	580-2228	8	580-2228	10	580-2228	10
	SUPPORT PACK 4 — CARTON - 52"	0-8852-408	2	0-8852-408	2	0-8852-408	1	0-8852-408	1
	SUPPORT PACK 6 — CARTON - 52"	—	—	—	—	0-8852-608	1	0-8852-608	1
58.	Side Vertical - 52"	580-2142	8	580-2142	8	580-2142	10	580-2142	10

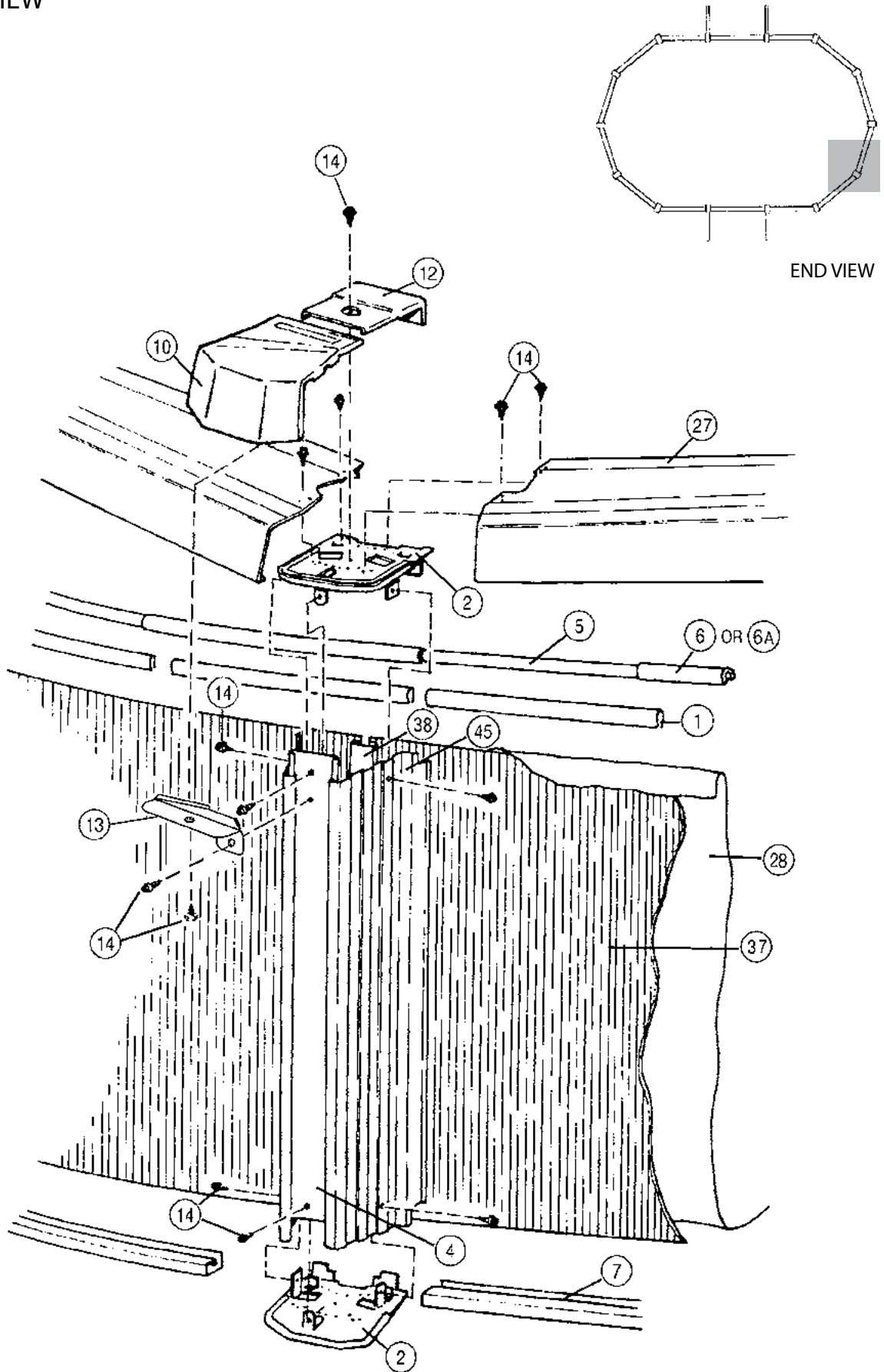
\*Screws are available in most hardware stores.

\*\*For additional patch kits order Part No. 0-5604-000.

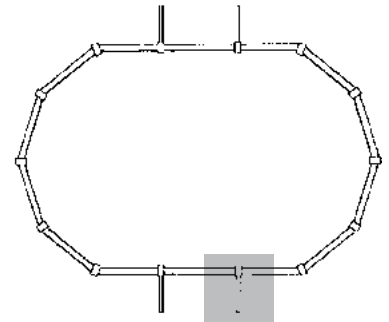
\*\*\*These stabilizers are 43 1/4" long and are used on the sides between the Buttresses. Use all remaining small and large stabilizers on the ends of the pool.

\*\*\*\*Write the number of your liner in the spaces provided here and above. # \_\_\_\_\_.

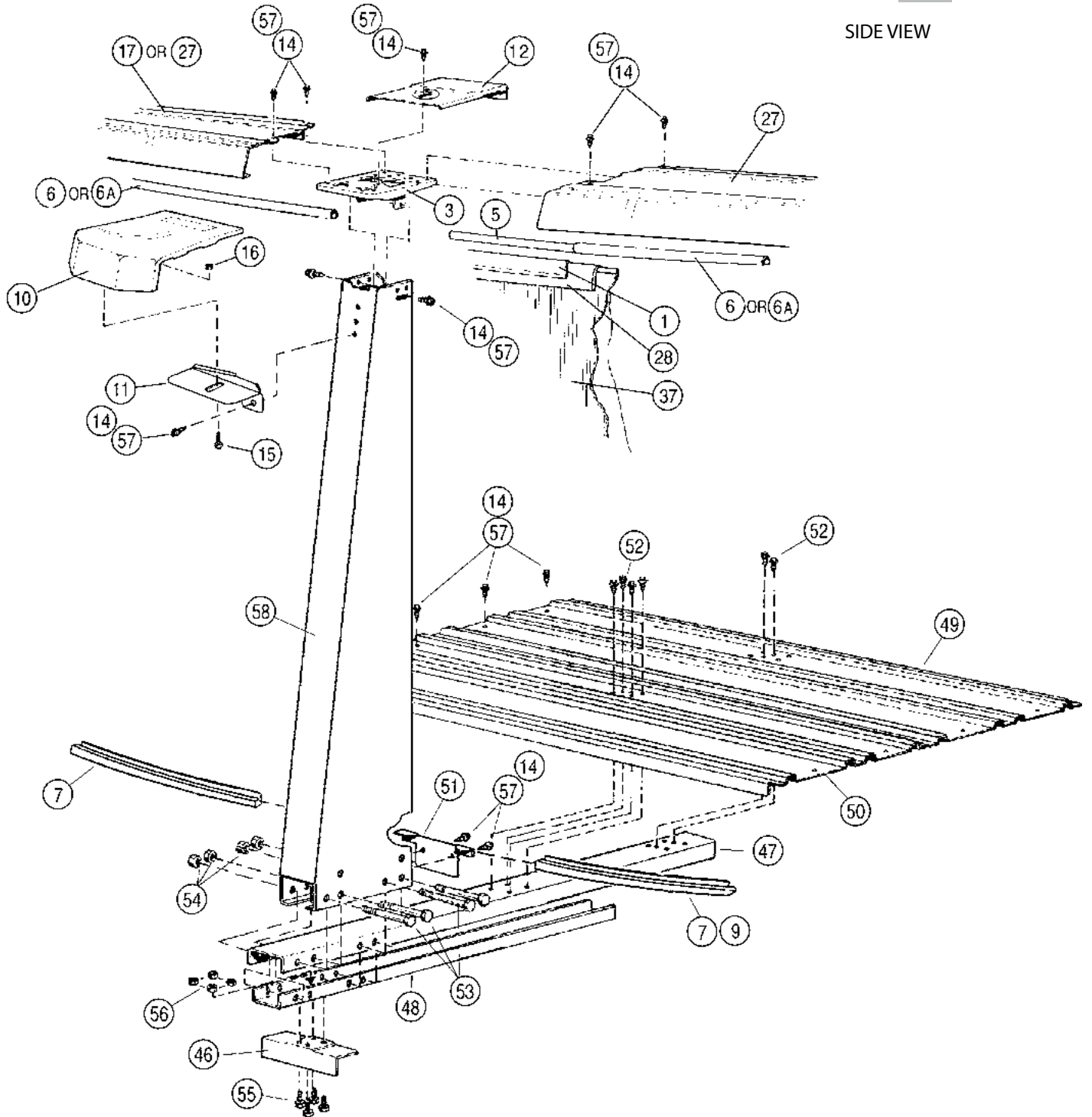
EXPLODED VIEW



EXPLODED VIEW



SIDE VIEW





**Important!** Above-ground pools are designed for swimming and wading only. Do not Dive or Jump! Misuse of your pool may result in crippling injury and/or other dangers to life and health. Do not use slides, diving boards, or any other platform or object which can be used for improper pool entry. Use only an above-ground swimming pool ladder or entry system to enter or exit your pool. Never attempt to swim or reach behind ladders or any other pool entry system. It is the pool owner's responsibility to secure the pool against unauthorized, unsupervised or unintentional entry. It is also the pool owner's responsibility to warn all pool users of the hazards of diving into shallow water: paralyzing injury may result. Always obey all safety rules. Remember, pool safety is everybody's responsibility.

Safety decals and caution information provided with your pool have been endorsed by the U.S. Consumer Product Safety Commission. It is mandatory that the pool owner and installer follow the installation and use directions for all provided safety signs and decals. Juveniles must be supervised at all times by a responsible adult as directed by the USCPSC.

Change of Design: Doughboy Recreational expressly reserves the right to change or modify the design and construction of any product in due course of their manufacturing procedures, without incurring any obligation to furnish or install such changes or modifications on products previously or subsequently sold.



DOUGHBOY RECREATIONAL • 315 N. Sebastian St. • West Helena, AR 72390

Visit our website at [www.doughboy-pools.com](http://www.doughboy-pools.com)