

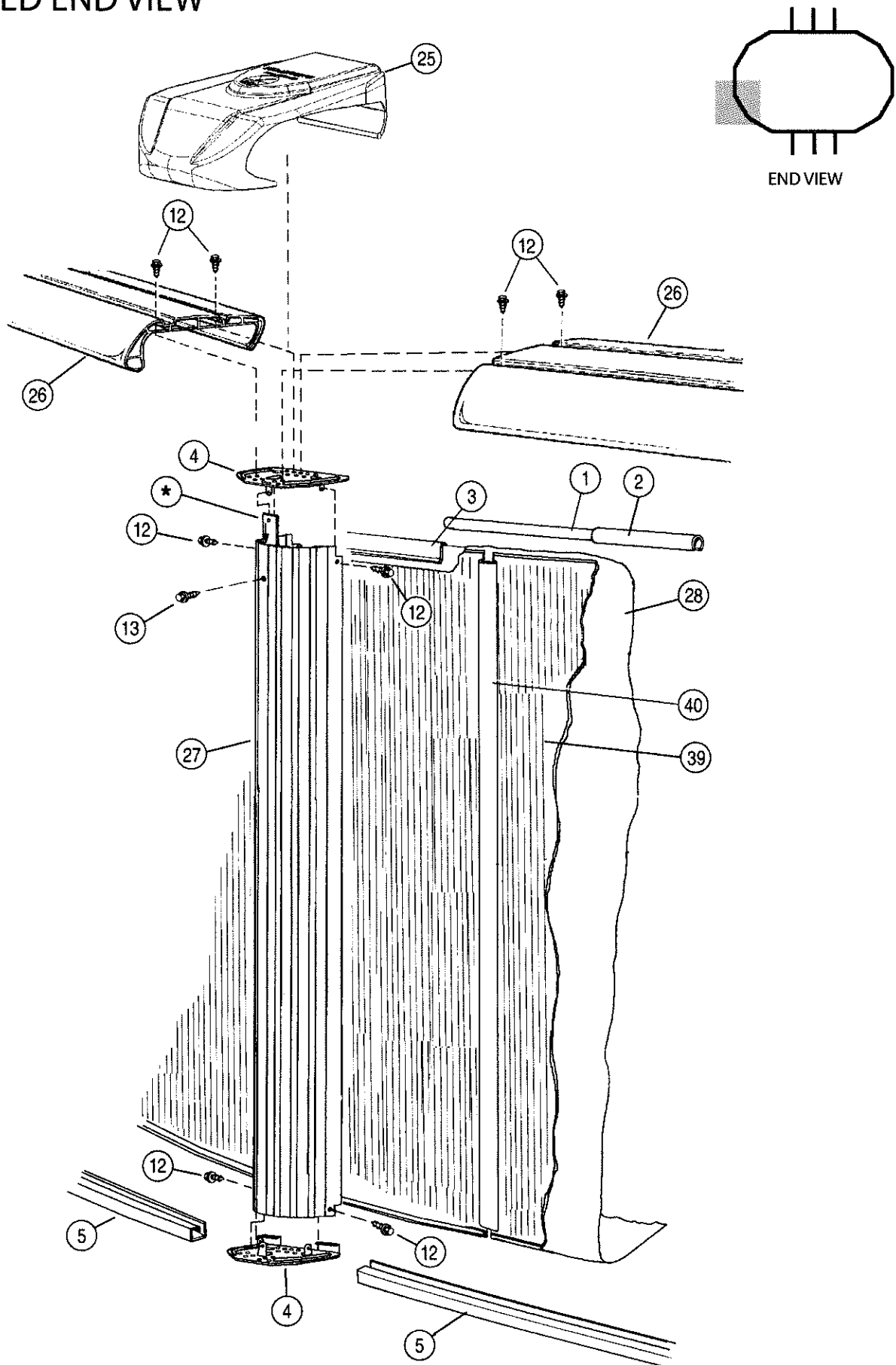


Pearl River

52" Tall Oval Pools

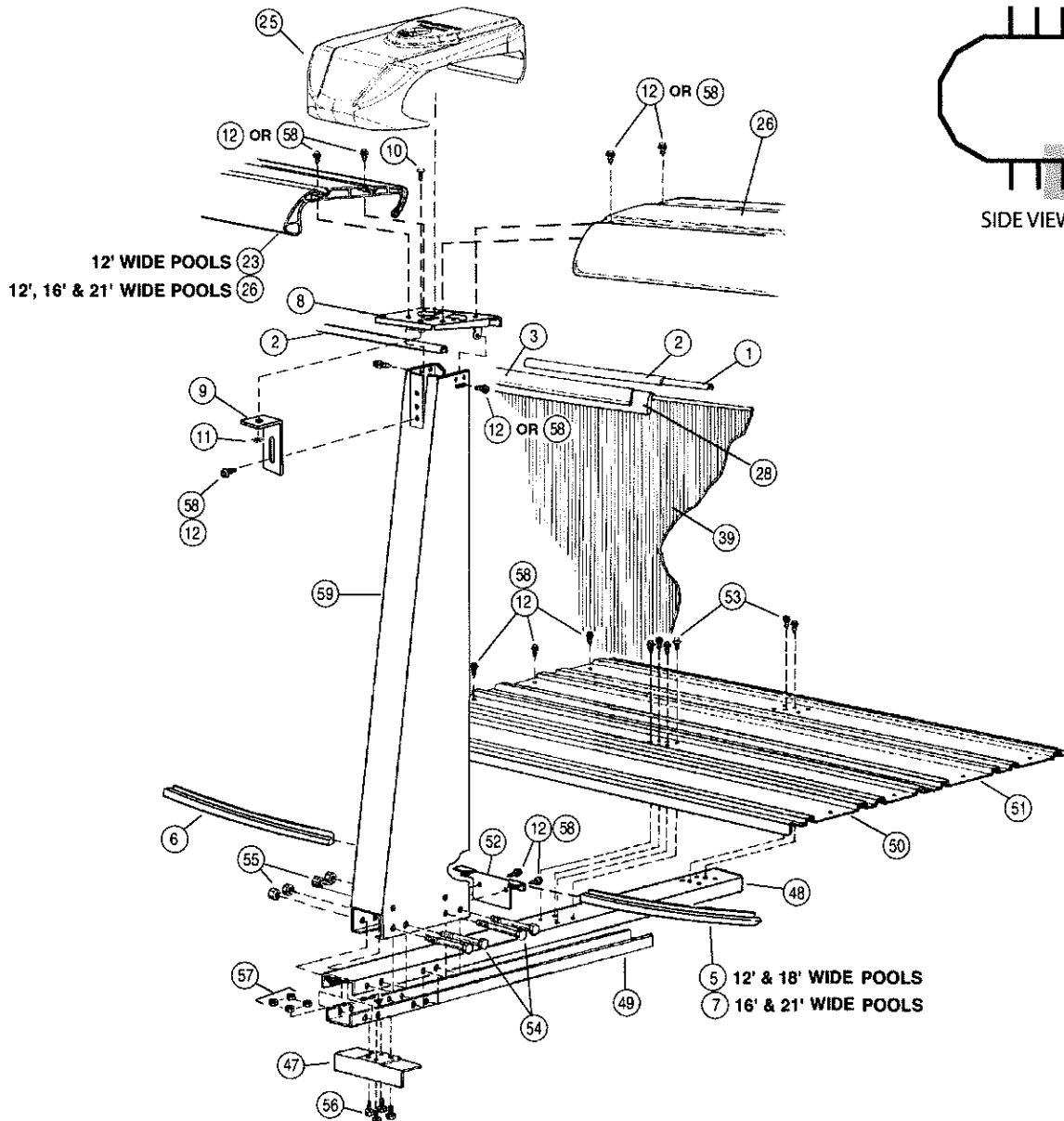
Parts List

EXPLODED END VIEW



* Fencing strips required and supplied with optional fencing only.

EXPLODED SIDE VIEW



Important! Above-ground pools are designed for swimming and wading only. Do not Dive or Jump! Misuse of your pool may result in crippling injury and/or other dangers to life and health. Do not use slides, diving boards, or any other platform or object which can be used for improper pool entry. Use only an above-ground swimming pool ladder or entry system to enter or exit your pool. Never attempt to swim or reach behind ladders or any other pool entry system. It is the pool owner's responsibility to secure the pool against unauthorized, unsupervised or unintentional entry. It is also the pool owner's responsibility to warn all pool users of the hazards of diving into shallow water: paralyzing injury may result. Always obey all safety rules. Remember, pool safety is everybody's responsibility.

Safety decals and caution information provided with your pool have been endorsed by the U.S. Consumer Product Safety Commission. It is mandatory that the pool owner and installer follow the installation and use directions for all provided safety signs and decals. Juveniles must be supervised at all times by a responsible adult as directed by the USCPSC.

Change of Design: Doughboy Recreational expressly reserves the right to change or modify the design and construction of any product in due course of their manufacturing procedures, without incurring any obligation to furnish or install such changes or modifications on products previously or subsequently sold.



DOUGHBOY RECREATIONAL • 315 N. Sebastian St • West Helena, AR 72390

Visit our website at www.doughboypools.com

Pearl River LAP Oval Pools - Parts List Supplement

ITEM #	DESCRIPTION	44' x 12'		32' x 12'	
		PART #	QTY	PART #	QTY
	ASSEMBLY PACK	0-9944-809	1	0-9922-809	1
1.	Stabilizer Rail, small dia.	583-1012	8	583-1012	8
*2.	Stabilizer Rail, large dia.	583-1011	22	583-1011	16
2.	Stabilizer Rail, large dia.	—	—	—	—
***3.	Plastic Coping, 24"	545-1001	53	545-1001	41
4.	Vertical End Cap	580-2160	20	580-2160	20
5.	Bottom Rail (Stamped 12, 16, 18 or 21)	589-1046	12	589-1046	12
6.	Side Rail (Stamped S)	589-1052	14	589-1052	8
7.	Transition Rail (Stamped TR)	—	—	—	—
8.	Side Vertical Cap	580-2279	16	580-2279	10
9.	Outer conn. bracket	580-2128	16	580-2128	10
****10.	Mach. Screw, 10-24 x 1/2"	510-1008	16	510-1008	10
****11.	Square Nut, 10-24	321-1025	16	321-1025	10
****12.	Sheet Metal Screw, #10x1/2"	330-1127	199	330-1127	140
****13.	Sheet Metal Screw, #10x1/2"	330-1127	30	330-1127	24
14.	Pool Parts List	573-3833	1	573-3833	1
15.	Pool Installation Instructions	573-3644	1	573-3644	1
16.	"Safety First" Booklet	573-3169	1	573-3169	1
17.	—	—	—	—	—
18.	—	—	—	—	—
19.	—	—	—	—	—
20.	—	—	—	—	—
21.	Warranty Card	—	1	—	1
22.	—	—	—	—	—
23.	Top Rail	—	—	587-1553	8
24.	—	—	—	—	—
	TOP CONNECTOR PACK	0-9999-726	1	0-9999-720	1
25.	Top Connector	340-2755	26	340-2755	20
	TOP RAIL PACK	0-9803-804	1	0-9803-804	1
	TOP RAIL PACK	0-9814-804	1	—	—
26.	Top Rail	587-1552	12	587-1552	12
23.	Top Rail - Common	587-1553	14	—	—
	VERTICAL CARTON - 52"	0-9710-804	1	0-9710-804	1
	VERTICAL CARTON - 52"	—	—	—	—
27.	Vertical - 52"	341-1444	10	341-1444	10
	POOL LINER CARTON	—	—	—	—
****28.	Pool Liner	0-4412-	1	0-3212-	1
29.	Chlorine/Winterizing Instructions	573-2421	1	573-2421	1
30.	Installation Instruction Insert	369-1145	1	369-1145	1
31.	"Warning" Decal	560-1041	1	560-1041	3
32.	Warranty Card - Liner	—	1	—	1
****33.	Repair Patch	564-1000	1	564-1000	1
****34.	"Deeper Area" Decal	560-1042	2	560-1042	2
35.	"Shallow" Decal, 3-1/2 Ft.	560-1043	3	560-1043	3
35.	"Shallow" Decal, 3-3/4 Ft.	560-1056	3	560-1056	3
36.	"Shallow" Decal Insert Sheet	369-1216	1	369-1216	1
37.	"Safety First" Booklet	573-3169	1	573-3169	1
****38.	E-Z Clip Installation Instructions	573-3039	1	573-3039	1
	SIDEWALL CARTON	—	—	—	—
39.	Sidewall - 52" Tall	0-0013-044	2	0-0013-022	2
40.	Joint Piece - 52"	580-1914	2	580-1914	2
41.	Large Cover Plate (not shown)	580-2403	2	580-2403	2
42.	Small Cover Plate (not shown)	580-2404	2	580-2404	2
43.	"Warning" Sign	580-1046	2	580-1046	2
44.	"Safety First" Booklet	573-3169	2	573-3169	2
45.	Adhesive Squares	310-1034	12	310-1034	12
46.	Safety Video	573-3498	2	573-3498	2
	SUPPORT PACK 4 — CARTON	0-8888-204	1	0-8888-204	1
	SUPPORT PACK 6 — CARTON	0-8888-206	2	0-8888-206	1
47.	Skid Support	580-1779	16	580-1779	10
48.	Ground Support - Top	580-2071	16	580-2071	10
49.	Ground Support - Bottom	580-2072	16	580-2072	10
50.	Pressure Pad - Outside	580-1869	16	580-1869	10
51.	Pressure Pad - Inside	580-1870	16	580-1870	10
52.	Bottom Rail Locator	580-1792	16	580-1792	10
***53.	Sheet Metal Screw, No. 12 x 3/4"	510-1035	96	510-1035	60
***54.	Hex Head Bolt, 3/8 - 16 x 3-1/2"	330-1220	64	330-1220	40
***55.	Hex Nut, 3/8 - 16	321-1069	64	321-1069	40
***56.	Hex Head Screw, 1/4 - 20 x 1/2"	510-1018	64	510-1018	40
***57.	Hex Nut 1/4 - 20	511-1000	64	511-1000	40
***58.	Sheet Metal Screw, No. 10 x 3/8"	330-1127	96	330-1127	60
	SUPPORT PACK 4 CARTON - 52"	0-8852-400	1	0-8852-400	1
	SUPPORT PACK 6 CARTON - 52"	0-8852-600	2	0-8852-600	1
59.	Side Vertical - 52"	580-2074	16	580-2074	10

ITEM #	DESCRIPTION	40' x 16'	
		PART #	QTY
	ASSEMBLY PACK	0-9906-809	1
1.	Stabilizer Rail, small dia.	583-1012	10
*2.	Stabilizer Rail, large dia.	583-1011	18
2.	Stabilizer Rail, large dia.	—	—
***3.	Plastic Coping, 24"	545-1001	52
4.	Vertical End Cap	580-2160	24
5.	Bottom Rail (Stamped 12, 16, 18 or 21)	589-1047	10
6.	Side Rail (Stamped S)	589-1052	10
7.	Transition Rail (Stamped TR)	589-1053	4
8.	Side Vertical Cap	580-2279	12
9.	Outer conn. bracket	580-2128	12
****10.	Mach. Screw, 10-24 x 1/2"	510-1008	12
****11.	Square Nut, 10-24	321-1025	12
****12.	Sheet Metal Screw, #10x1/2"	330-1127	169
****13.	Sheet Metal Screw, #10x1/2"	330-1127	36
14.	Pool Parts List	573-3833	1
15.	Pool installation instructions	573-3644	1
16.	"Safety First" Booklet	573-3169	1
17.	—	—	—
18.	—	—	—
19.	—	—	—
20.	—	—	—
21.	Warranty Card	—	1
22.	—	—	—
23.	Top Rail	—	—
24.	—	—	—
	TOP CONNECTOR PACK	0-9999-724	1
25.	Top Connector	340-2755	24
	TOP RAIL PACK	0-9810-804	1
	TOP RAIL PACK	0-9814-804	1
26.	Top Rail	—	—
23.	Top Rail - Common	587-1553	24
	VERTICAL CARTON - 52"	0-9712-804	1
	VERTICAL CARTON - 52"	—	—
27.	Vertical - 52"	341-1444	12
	POOL LINER CARTON	—	—
****28.	Pool Liner	0-4016-	1
29.	Chlorine/Winterizing Instructions	573-2421	1
30.	Installation Instruction Insert	369-1145	1
31.	"Warning" Decal	560-1041	1
32.	Warranty Card - Liner	—	1
****33.	Repair Patch	564-1000	1
****34.	"Deeper Area" Decal	560-1042	2
35.	"Shallow" Decal, 3-1/2 Ft.	560-1043	3
35.	"Shallow" Decal, 3-3/4 Ft.	560-1056	3
36.	"Shallow" Decal Insert Sheet	369-1216	1
37.	"Safety First" Booklet	573-3169	1
****38.	E-Z Clip Installation Instructions	573-3039	1
	SIDEWALL CARTON	—	—
39.	Sidewall - 52" Tall	0-0013-006	2
40.	Joint Piece - 52"	580-1914	2
41.	Large Cover Plate (not shown)	580-2403	2
42.	Small Cover Plate (not shown)	580-2404	2
43.	"Warning" Sign	580-1046	2
44.	"Safety First" Booklet	573-3169	2
45.	Adhesive Squares	310-1034	12
46.	Safety Video	573-3498	2
	SUPPORT PACK 4 — CARTON	—	—
	SUPPORT PACK 6 — CARTON	0-8888-206	2
47.	Skid Support	580-1779	12
48.	Ground Support - Top	580-2071	12
49.	Ground Support - Bottom	580-2072	12
50.	Pressure Pad - Outside	580-1869	12
51.	Pressure Pad - Inside	580-1870	12
52.	Bottom Rail Locator	580-1792	12
***53.	Sheet Metal Screw, No. 12 x 3/4"	510-1035	72
***54.	Hex Head Bolt, 3/8 - 16 x 3-1/2"	330-1220	48
***55.	Hex Nut, 3/8 - 16	321-1069	48
***56.	Hex Head Screw, 1/4 - 20 x 1/2"	510-1018	48
***57.	Hex Nut 1/4 - 20	511-1000	48
***58.	Sheet Metal Screw, No. 10 x 3/8"	330-1127	72
	SUPPORT PACK 4 CARTON - 52"	—	—
	SUPPORT PACK 6 CARTON - 52"	0-8852-600	2
59.	Side Vertical - 52"	580-2074	12