



Cypress Ridge

52 Inch Tall Round Pools

Parts List

Cypress Ridge Round Pool — Parts List

ITEM #	DESCRIPTION	12'		16'		18'		21'		24'		28'	
		PART #	QTY.	PART #	QTY.	PART #	QTY.	PART #	QTY.	PART #	QTY.	PART #	QTY.
	ASSEMBLY PACK	0-9912-617	1	0-9916-617	1	0-9918-617	1	0-9921-617	1	0-9924-617	1	0-9928-617	1
*1.	Plastic Coping, 24"	545-1001	22	545-1001	28	545-1001	30	545-1001	35	545-1001	40	545-1001	46
2.	Vertical End Cap-Top	580-2286	10	580-2286	12	580-2286	14	580-2286	16	580-2286	18	580-2286	21
3.	Vertical End Cap-Bottom	580-1949	10	580-1949	12	580-1949	14	580-1949	16	580-1949	18	580-1949	21
4.	Stabilizer Rail, small dia.	583-1012	6	583-1012	8	583-1012	9	583-1004	10	583-1004	11	583-1004	13
5.	Stabilizer Rail, large dia.	583-1011	6	583-1011	8	583-1011	9	583-1005	10	583-1005	11	583-1005	13
6.	Bottom Rail	589-1046	10	589-1047	12	589-1048	14	589-1049	16	589-1050	18	589-1051	21
7.	See Below	—		—		—		—		—		—	
**8.	Screw, #14 x 1/2"	330-1075	20	330-1075	24	330-1075	28	330-1075	32	330-1075	36	330-1075	42
**9.	Screw, #10 x 1/2"	330-1127	80	330-1127	96	330-1127	112	330-1127	128	330-1127	144	330-1127	168
10.	Outer conn. bracket	580-2159	10	580-2159	12	580-2159	14	580-2159	16	580-2159	18	580-2159	21
11.	—	—		—		—		—		—		—	
12.	—	—		—		—		—		—		—	
13.	Pool Installation Instructions	573-3615	1	573-3615	1	573-3615	1	573-3615	1	573-3615	1	573-3615	1
14.	Pool Parts List	573-5956	1	573-5956	1	573-5956	1	573-5956	1	573-5956	1	573-5956	1
15.	"Safety First" Booklet	573-3169	1	573-3169	1	573-3169	1	573-3169	1	573-3169	1	573-3169	1
16.	Warranty Card - Metal	—	1	—	1	—	1	—	1	—	1	—	1
	TOP CONNECTOR PACK	0-9999-910	1	0-9999-912	1	0-9999-914	1	0-9999-916	1	0-9999-918	1	0-9999-921	1
7.	Top connector	340-2820	10	340-2820	12	340-2820	14	340-2820	16	340-2820	18	340-2820	21
	TOP RAIL PACK	0-9801-617	1	0-9812-617	1	0-9814-617	1	0-9816-617	1	0-9818-617	1	0-9821-617	1
17.	Top Rail	587-1985	10	587-1986	12	587-1986	14	587-1986	16	587-1986	18	587-1986	21
	VERTICAL PACK - 52" POOLS	—		—		0-9706-617	1	0-9708-617	2	0-9708-617	1	0-9710-617	1
	VERTICAL PACK - 52" POOLS	0-9710-617	1	0-9712-617	1	0-9708-617	1	—		0-9710-617	1	0-9711-617	1
18.	Vertical - 52"	341-1540	10	341-1540	12	341-1540	14	341-1540	16	341-1540	18	341-1540	21
	POOL LINER CARTON												
***19.	Pool Liner	0-12_____	1	0-16_____	1	0-18_____	1	0-21_____	1	0-24_____	1	0-28_____	1
****20.	E-Z Clip Liner Instal. Instructions	573-3039	1	573-3039	1	573-3039	1	573-3039	1	573-3039	1	573-3039	1
21.	Chlorine/Winterizing Instructions	573-2421	1	573-2421	1	573-2421	1	573-2421	1	573-2421	1	573-2421	1
22.	Installation Instruction Insert	369-1308	1	369-1308	1	369-1308	1	369-1308	1	369-1308	1	369-1308	1
23.	"Warning" Decal	560-1041	3	560-1041	3	560-1041	3	560-1041	3	560-1041	3	560-1041	3
*****24.	"Deeper" Area Decal	560-1042	2	560-1042	2	560-1042	2	560-1042	2	560-1042	2	560-1042	2
25.	Warranty Card-Liner	—	1	—	1	—	1	—	1	—	1	—	1
26.	"Shallow" Decal, 3-1/2 ft.	560-1043	3	560-1043	3	560-1043	3	560-1043	3	560-1043	3	560-1043	3
27.	"Shallow" Decal, 3-3/4 ft.	560-1056	3	560-1056	3	560-1056	3	560-1056	3	560-1056	3	560-1056	3
28.	Shallow Decal Insert Sheet	369-1216	1	369-1216	1	369-1216	1	369-1216	1	369-1216	1	369-1216	1
*****29.	Repair Patch	564-1000	1	564-1000	1	564-1000	1	564-1000	1	564-1000	1	564-1000	1
30.	"Safety First" Booklet	573-3169	1	573-3169	1	573-3169	1	573-3169	1	573-3169	1	573-3169	1
	SIDEWALL CARTON												
31.	Sidewall - 52" Pools	0-0017-012	1	0-0017-016	1	0-0017-018	1	0-0017-021	1	0-0017-024	1	0-0017-028	1
32.	Joint Piece - 52" Pools	580-1914	1	580-1914	1	580-1914	1	580-1914	1	580-1914	1	580-1914	1
33.	"Warning" Sign	560-1046	1	560-1046	1	560-1046	1	560-1046	1	560-1046	1	560-1046	1
34.	"Safety First" Booklet	573-3169	1	573-3169	1	573-3169	1	573-3169	1	573-3169	1	573-3169	1
35.	Adhesive Squares	310-1034	6	310-1034	6	310-1034	6	310-1034	6	310-1034	6	310-1034	6
36.	Safety Video	573-3498	1	573-3498	1	573-3498	1	573-3498	1	573-3498	1	573-3498	1

* Used with stretch-in liners only.

** Screws are available in most hardware stores.

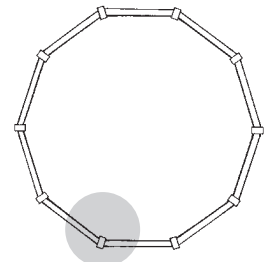
*** Write the number of your liner in the spaces provided here and above #_____.

**** Used with E-Z Clip Liners only.

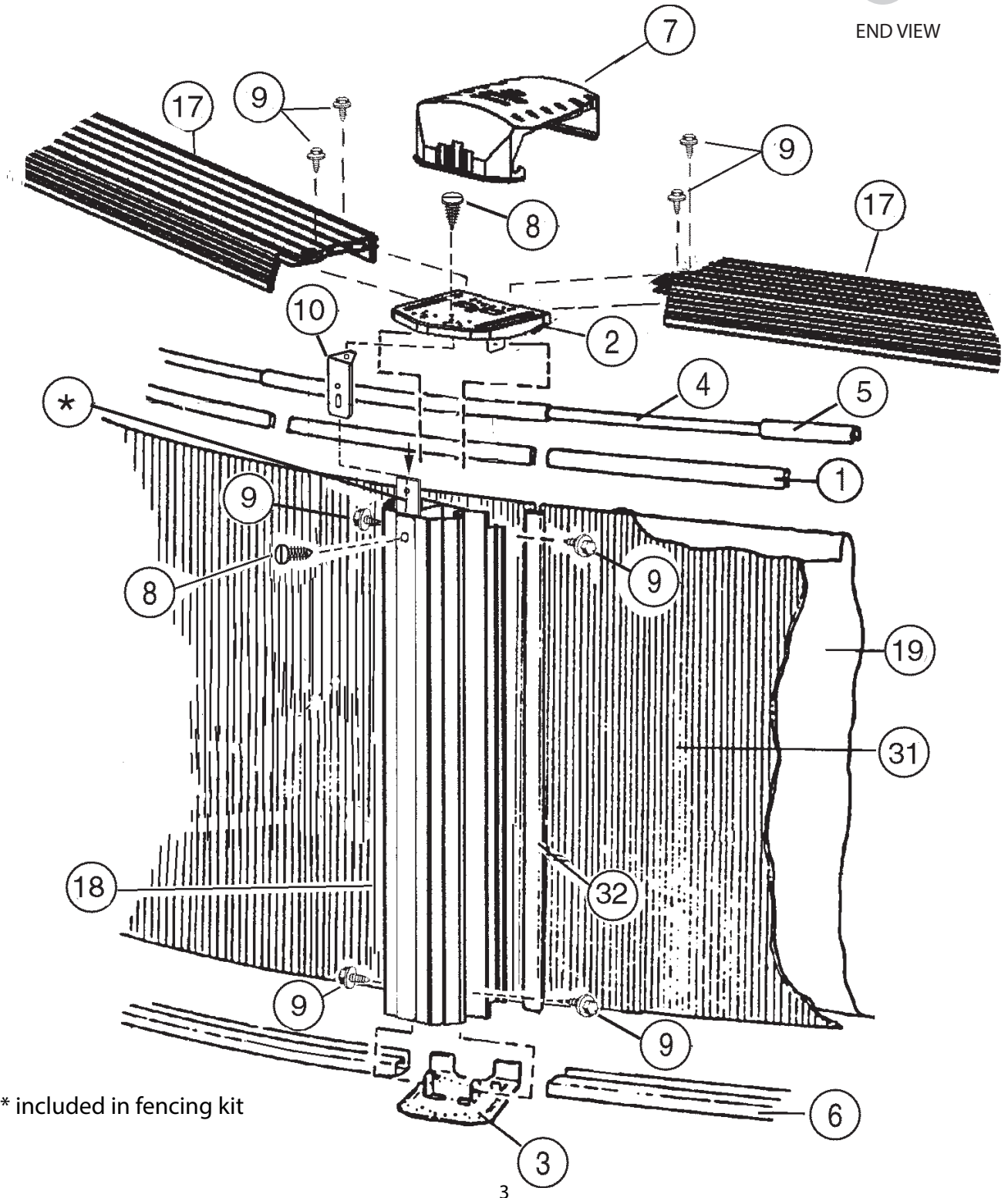
***** Used only for pools with deep swimming areas only.

***** For additional patch kits order Part No. 0-5604-000.

EXPLODED VIEW



END VIEW



* included in fencing kit



Important! Above-ground pools are designed for swimming and wading only. Do not Dive or Jump! Misuse of your pool may result in crippling injury and/or other dangers to life and health. Do not use slides, diving boards, or any other platform or object which can be used for improper pool entry. Use only an above-ground swimming pool ladder or entry system to enter or exit your pool. Never attempt to swim or reach behind ladders or any other pool entry system. It is the pool owner's responsibility to secure the pool against unauthorized, unsupervised or unintentional entry. It is also the pool owner's responsibility to warn all pool users of the hazards of diving into shallow water: paralyzing injury may result. Always obey all safety rules. Remember, pool safety is everybody's responsibility.

Safety decals and caution information provided with your pool have been endorsed by the U.S. Consumer Product Safety Commission. It is mandatory that the pool owner and installer follow the installation and use directions for all provided safety signs and decals. Juveniles must be supervised at all times by a responsible adult as directed by the USCPSC.

Change of Design: Doughboy Recreational expressly reserves the right to change or modify the design and construction of any product in due course of their manufacturing procedures, without incurring any obligation to furnish or install such changes or modifications on products previously or subsequently sold.



DOUGHBOY RECREATIONAL • 315 N. Sebastian St. • West Helena, AR 72390
 Visit our website at www.doughboypools.com