



# Cypress Ridge

## 52 Inch Tall Oval Pools

---

### Parts List

# Cypress Ridge Oval Pool — Parts List

ITEM #	DESCRIPTION	20' x 12'		24' x 12'		28' x 12'		44' x 12'		24' x 16'	
		PART #	QTY.	PART #	QTY.	PART #	QTY.	PART #	QTY.	PART #	QTY.
	ASSEMBLY PACK	0-9902-617	1	0-9942-617	1	0-9910-617	1	0-9944-617	1	0-9946-617	1
*1.	Plastic Coping, 24"	545-1001	30	545-1001	33	545-1001	37	545-1001	53	545-1001	36
2.	Vertical End Cap-Top	580-2286	10	580-2286	10	580-2286	10	580-2286	10	580-2286	12
3.	Vertical End Cap-Bottom	580-1949	10	580-1949	10	580-1949	10	580-1949	10	580-1949	12
4.	Stabilizer Rail, small dia.	583-1012	8	583-1012	8	583-1012	8	583-1012	8	583-1012	10
5.	Stabilizer Rail, large dia.	583-1011	10	583-1011	12	583-1011	14	583-1011	22	583-1011	10
6.	Bottom Rail (Stamped 12 or 16)	589-1046	12	589-1046	12	589-1046	12	589-1046	12	589-1047	10
7.	Side Rail (Stamped S)	589-1052	2	589-1052	4	589-1052	6	589-1052	14	589-1052	2
8.	Bottom Rail (Stamped TR)	—	—	—	—	—	—	—	—	589-1053	4
9.	See Below	—	—	—	—	—	—	—	—	—	—
10.	Outer conn. bracket (non-painted)	580-2159	10	580-2159	10	580-2159	10	580-2159	10	580-2159	12
10a.	Outer conn. bracket (painted)sides only	580-2465	4	580-2465	6	580-2465	8	580-2465	16	580-2465	4
**11.	Screw, #10 x 1/2"	330-1127	120	330-1127	138	330-1127	138	330-1127	192	330-1127	138
**12.	#10-24 sq. nut"	321-1025	4	321-1025	6	321-1025	8	321-1025	16	321-1025	4
**13.	#10-24 x 1/2" MS screw"	510-1008	4	510-1008	6	510-1008	8	510-1008	16	510-1008	4
14.	Side Vertical End Cap	580-2056	4	580-2056	6	580-2056	8	580-2056	16	580-2056	4
15.	Pool Parts List	573-5957	1	573-5957	1	573-5957	1	573-5957	1	573-5957	1
16.	Pool Installation Instructions	573-3644	1	573-3644	1	573-3644	1	573-3644	1	573-3644	1
17.	"Safety First" Booklet	573-3169	1	573-3169	1	573-3169	1	573-3169	1	573-3169	1
**18.	#14 x 1/2" slot hd screw	330-1075	20	330-1075	20	330-1075	20	330-1075	20	330-1075	24
**19.	#10 x 1/2" sheet ms	330-1127	4	330-1127	6	330-1127	8	330-1127	16	330-1127	4
20.	Warranty Card - Metal	—	1	—	1	—	1	—	1	—	1
21.	Top Rail	—	—	—	—	—	—	—	—	587-1985	2
	TOP CONNECTOR PACK	—	—	—	—	—	—	0-9999-912	1	—	—
	TOP CONNECTOR PACK	0-9999-914	1	0-9999-916	1	0-9999-918	1	0-9999-914	1	0-9999-916	1
9.	Top connector	340-2820	14	340-2820	16	340-2820	18	340-2820	26	340-2820	16
	VERTICAL PACK	0-9710-617	1	0-9710-617	1	0-9710-617	1	0-9710-617	1	0-9712-617	1
22.	Vertical	341-1540	10	341-1540	10	341-1540	10	341-1540	10	341-1540	12
	TOP RAIL PACK	0-9841-617	1	0-9861-617	1	0-9881-617	1	0-9801-617	1	0-9814-617	1
		—	—	—	—	—	—	0-9861-617	1	—	—
23.	Top Rail	587-1985	14	587-1985	16	587-1985	18	587-1985	26	587-1986	14
	POOL LINER CARTON	—	—	—	—	—	—	—	—	—	—
***24.	Pool Liner	0-2012-___	1	0-2412-___	1	0-2812-___	1	0-4412-___	1	0-2416-___	1
****25.	E-Z Clip Liner Installation Instructions	573-3039	1	573-3039	1	573-3039	1	573-3039	1	573-3039	1
26.	Chlorine/Winterizing Instructions	573-2421	1	573-2421	1	573-2421	1	573-2421	1	573-2421	1
27.	Installation Instruction Insert	369-1308	1	369-1308	1	369-1308	1	369-1308	1	369-1308	1
28.	"Warning" Decal	560-1041	3	560-1041	3	560-1041	3	560-1041	3	560-1041	3
29.	Warranty Card - Liner	—	1	—	1	—	1	—	1	—	1
****30.	Repair Patch	564-1000	1	564-1000	1	564-1000	1	564-1000	1	564-1000	1
*****31.	"Deeper" Area Decal	560-1042	2	560-1042	2	560-1042	2	560-1042	2	560-1042	2
32.	"Shallow" Decal, 3-1/2 ft.	560-1043	3	560-1043	3	560-1043	3	560-1043	3	560-1043	3
33.	"Shallow" Decal, 3-3/4 ft.	560-1056	3	560-1056	3	560-1056	3	560-1056	3	560-1056	3
34.	Shallow Decal Insert Sheet	369-1216	1	369-1216	1	369-1216	1	369-1216	1	369-1216	1
35.	"Safety First" Booklet	573-3169	1	573-3169	1	573-3169	1	573-3169	1	573-3169	1
	SIDEWALL CARTON	—	—	—	—	—	—	—	—	—	—
36.	Sidewall - 52" Pools	0-0017-002	1	0-0017-042	1	0-0017-010	1	0-0017-044	2	0-0017-046	1
37.	Cover Plate - Large (not shown)	—	—	—	—	—	—	580-2467	2	—	—
38.	Cover Plate - Small (not shown)	—	—	—	—	—	—	580-2468	2	—	—
39.	Joint Piece - 52"	580-1914	1	580-1914	1	580-1914	1	580-1914	2	580-1914	1
40.	"Warning" Sign	560-1046	1	560-1046	1	560-1046	1	560-1046	2	560-1046	1
41.	"Safety First" Booklet	573-3169	1	573-3169	1	573-3169	1	573-3169	2	573-3169	1
42.	Adhesive Squares	310-1034	6	310-1034	6	310-1034	6	310-1034	12	310-1034	6
43.	Safety Video	573-3498	1	573-3498	1	573-3498	1	573-3498	2	573-3498	1
	SUPPORT BASE PACK 4 — CARTON	0-8888-204	1	—	—	0-8888-204	2	0-8888-204	1	0-8888-204	1
	SUPPORT BASE PACK 6 — CARTON	—	—	0-8888-206	1	—	—	0-8888-206	2	—	—
44.	Skid Support	580-1779	4	580-1779	6	580-1779	8	580-1779	16	580-1779	4
45.	Ground Support - Top	580-2071	4	580-2071	6	580-2071	8	580-2071	16	580-2071	4
46.	Ground Support - Bottom	580-2072	4	580-2072	6	580-2072	8	580-2072	16	580-2072	4
47.	Pressure Pad - Outside	580-1869	4	580-1869	6	580-1869	8	580-1869	16	580-1869	4
48.	Pressure Pad - Inside	580-1870	4	580-1870	6	580-1870	8	580-1870	16	580-1870	4
49.	Bottom Rail Locator	580-1792	4	580-1792	6	580-1792	8	580-1792	16	580-1792	4
**50.	Hex Washer Head Screw #12 x 3/4"	510-1035	24	510-1035	36	510-1035	48	510-1035	96	510-1035	24
**51.	Hex Head Bolt, 3/8-16 x 3-1/2"	330-1220	16	330-1220	24	330-1220	32	330-1220	64	330-1220	16
**52.	Hex Nut, 3/8-16	321-1069	16	321-1069	24	321-1069	32	321-1069	64	321-1069	16
**53.	Hex Head Screw, 1/4"-20 x 1/2"	510-1018	16	510-1018	24	510-1018	32	510-1018	64	510-1018	16
**54.	Hex Nut, 1/4-20	511-1000	16	511-1000	24	511-1000	32	511-1000	64	511-1000	16
**55.	Sheet Metal Screw, #10 x 1/2"	330-1127	24	330-1127	36	330-1127	48	330-1127	96	330-1127	24
	SUPPORT PACK 4 CARTON - 52"	0-8852-411	1	—	—	0-8852-411	2	0-8852-411	1	0-8852-411	1
	SUPPORT PACK 6 CARTON - 52"	—	—	0-8852-611	1	—	—	0-8852-611	2	—	—
56.	Side Vertical - 52"	580-2466	4	580-2466	6	580-2466	8	580-2466	16	580-2466	4

\* Used with stretch-in liners only.

\*\* Screws are available in most hardware stores.

\*\*\* Write the number of your liner in the spaces provided here and above. # \_\_\_\_\_.

\*\*\*\* For use with E-Z Clip Liners only.

\*\*\*\*\* For additional patch kits order Part No. 0-5604-000.

\*\*\*\*\* Used only for pools with deep swimming areas.

ITEM #	DESCRIPTION	28' x 16'		32' x 16'		40' x 16'		34' x 18'		38' x 18'		41' X 21'	
		PART #	QTY.	PART #	QTY.	PART #	QTY.	PART #	QTY.	PART #	QTY.	PART #	QTY.
	ASSEMBLY PACK	0-9986-617	1	0-9926-617	1	0-9906-617	1	0-9948-617	1	0-9988-617	1	0-9911-617	1
*1.	Plastic Coping, 24"	545-1001	40	545-1001	44	545-1001	52	545-1001	46	545-1001	50	545-1001	55
2.	Vertical End Cap-Top	580-2286	12	580-2286	12	580-2286	12	580-2286	14	580-2286	14	580-2286	16
3.	Vertical End Cap-Bottom	580-1949	12	580-1949	12	580-1949	12	580-1949	14	580-1949	14	580-1949	16
4.	Stabilizer Rail, small dia.	583-1012	10	583-1012	10	583-1012	10	583-1012	10	583-1012	10	583-1004	12
5.	Stabilizer Rail, large dia.	583-1011	12	583-1011	14	583-1011	18	583-1011	16	583-1011	18	583-1005	10
5a.	Stabilizer Rail, large dia.	—	—	—	—	—	—	—	—	—	—	583-1011	8
6.	Bottom Rail (Stamped 12,16,18 or 21)	589-1047	10	589-1047	10	589-1047	10	589-1048	16	589-1048	16	589-1049	14
7.	Side Rail (Stamped S)	589-1052	4	589-1052	6	589-1052	10	589-1052	6	589-1052	8	589-1052	8
8.	Bottom Rail (Stamped TR)	589-1053	4	589-1053	4	589-1053	4	—	—	—	—	589-1053	4
9.	See Below	—	—	—	—	—	—	—	—	—	—	—	—
10.	Outer conn. bracket (non-painted)	580-2159	12	580-2159	12	580-2159	12	580-2159	14	580-2159	14	580-2159	16
10a.	Outer conn. bracket (painted)sides only	580-2465	6	580-2465	8	580-2465	12	580-2465	8	580-2465	14	580-2465	10
**11.	Screw, #10 x 1/2"	330-1127	152	330-1127	166	330-1127	192	330-1127	166	330-1127	192	330-1127	224
**12.	#10-24 sq. nut"	321-1025	6	321-1025	8	321-1025	12	321-1025	14	321-1025	14	321-1025	10
**13.	#10-24 x 1/2" MS screw"	510-1008	6	510-1008	8	510-1008	12	510-1008	14	510-1008	14	510-1008	10
14.	Side Vertical End Cap	580-2056	6	580-2056	8	580-2056	12	580-2056	8	580-2056	10	580-2056	10
15.	Pool Parts List	573-5957	1	573-5957	1	573-5957	1	573-5957	1	573-5957	1	573-5957	1
16.	Pool Installation Instructions	573-3644	1	573-3644	1	573-3644	1	573-3644	1	573-3644	1	573-3644	1
17.	"Safety First" Booklet	573-3169	1	573-3169	1	573-3169	1	573-3169	1	573-3169	1	573-3169	1
**18.	#14 x 1/2" slot hd screw	330-1075	24	330-1075	24	330-1075	24	330-1075	28	330-1075	28	330-1075	32
**19.	#10 x 1/2" sheet ms	330-1127	6	330-1127	8	330-1127	12	330-1127	14	330-1127	14	330-1127	10
20.	Warranty Card - Metal	—	1	—	1	—	1	—	1	—	1	—	1
21.	Top Rail	587-1985	4	587-1985	6	—	—	587-1985	6	587-1985	8	587-1985	8
	TOP CONNECTOR PACK	—	—	—	—	—	—	—	—	—	—	0-9999-912	1
	TOP CONNECTOR PACK	0-9999-918	1	0-9999-920	1	0-9999-924	1	0-9999-922	1	0-9999-924	1	0-9999-914	1
9.	Top connector	340-2820	18	340-2820	20	340-2820	24	340-2820	22	340-2820	24	340-2820	26
	VERTICAL PACK	0-9712-617	1	0-9712-617	1	0-9712-617	1	0-9706-617	1	0-9706-617	1	0-9708-617	2
	VERTICAL PACK	—	—	—	—	—	—	0-9708-617	1	0-9708-617	1	—	—
22.	Vertical	341-1540	12	341-1540	12	341-1540	12	341-1540	14	341-1540	14	341-1540	16
	TOP RAIL PACK	0-9814-617	1	0-9814-617	1	0-9814-617	1	0-9814-617	1	0-9814-617	1	0-9818-617	1
23.	Top Rail	587-1986	14	587-1986	14	587-1986	14	587-1986	16	587-1986	16	587-1986	18
	TOP RAIL PACK	—	—	—	—	0-9801-617	1	—	—	—	—	—	—
23.	Top Rail	—	—	—	—	587-1985	10	—	—	—	—	—	—
	POOL LINER CARTON	—	—	—	—	—	—	—	—	—	—	—	—
***24.	Pool Liner	0-2816-___	1	0-3216-___	1	0-4016-___	1	0-3418-___	1	0-3818-___	1	0-4121-___	1
***25.	E-Z Clip Liner Installation Instructions	573-3039	1	573-3039	1	573-3039	1	573-3039	1	573-3039	1	573-3039	1
26.	Chlorine/Winterizing Instructions	573-2421	1	573-2421	1	573-2421	1	573-2421	1	573-2421	1	573-2421	1
27.	Installation Instruction Insert	369-1308	1	369-1308	1	369-1308	1	369-1308	1	369-1308	1	369-1308	1
28.	"Warning" Decal	560-1041	3	560-1041	3	560-1041	3	560-1041	3	560-1041	3	560-1041	3
29.	Warranty Card - Liner	—	1	—	1	—	1	—	1	—	1	—	1
****30.	Repair Patch	564-1000	1	564-1000	1	564-1000	1	564-1000	1	564-1000	1	564-1000	1
*****31.	"Deeper" Area Decal	560-1042	2	560-1042	2	560-1042	2	560-1042	2	560-1042	2	560-1042	2
32.	"Shallow" Decal, 3-1/2 ft.	560-1043	3	560-1043	3	560-1043	3	560-1043	3	560-1043	3	560-1043	3
33.	"Shallow" Decal, 3-3/4 ft.	560-1056	3	560-1056	3	560-1056	3	560-1056	3	560-1056	3	560-1056	3
34.	Shallow Decal Insert Sheet	369-1216	1	369-1216	1	369-1216	1	369-1216	1	369-1216	1	369-1216	1
35.	"Safety First" Booklet	573-3169	1	573-3169	1	573-3169	1	573-3169	1	573-3169	1	573-3169	1
	SIDEWALL CARTON	—	—	—	—	—	—	—	—	—	—	—	—
36.	Sidewall - 52" Pools	0-0017-086	1	0-0017-026	2	0-0017-006	2	0-0017-048	2	0-0017-088	2	0-0017-011	2
37.	Cover Plate - Large (not shown)	—	—	580-2467	2	580-2467	2	580-2467	2	580-2467	2	580-2467	2
38.	Cover Plate - Small (not shown)	—	—	580-2468	2	580-2468	2	580-2468	2	580-2468	2	580-2468	2
39.	Joint Piece - 52"	580-1914	1	580-1914	2	580-1914	2	580-1914	2	580-1914	2	580-1914	2
40.	"Warning" Sign	560-1046	1	560-1046	2	560-1046	2	560-1046	2	560-1046	2	560-1046	2
41.	"Safety First" Booklet	573-3169	1	573-3169	2	573-3169	2	573-3169	2	573-3169	2	573-3169	2
42.	Adhesive Squares	310-1034	6	310-1034	12	310-1034	12	310-1034	12	310-1034	12	310-1034	12
43.	Safety Video	573-3498	1	573-3498	2	573-3498	2	573-3498	2	573-3498	2	573-3498	2
	SUPPORT BASE PACK 4 — CARTON	—	—	0-8888-204	2	—	—	0-8888-204	2	0-8888-204	1	0-8888-204	1
	SUPPORT BASE PACK 6 — CARTON	0-8888-206	1	—	—	0-8888-206	2	—	—	0-8888-206	1	0-8888-206	1
44.	Skid Support	580-1779	6	580-1779	8	580-1779	12	580-1779	8	580-1779	10	580-1779	10
45.	Ground Support - Top	580-2071	6	580-2071	8	580-2071	12	580-2071	8	580-2071	10	580-2071	10
46.	Ground Support - Bottom	580-2072	6	580-2072	8	580-2072	12	580-2072	8	580-2072	10	580-2072	10
47.	Pressure Pad - Outside	580-1869	6	580-1869	8	580-1869	12	580-1869	8	580-1869	10	580-1869	10
48.	Pressure Pad - Inside	580-1870	6	580-1870	8	580-1870	12	580-1870	8	580-1870	10	580-1870	10
49.	Bottom Rail Locator	580-1792	6	580-1792	8	580-1792	12	580-1792	8	580-1792	10	580-1792	10
**50.	Hex Washer Head Screw #12 x 3/4"	510-1035	36	510-1035	48	510-1035	72	510-1035	48	510-1035	60	510-1035	60
**51.	Hex Head Bolt, 3/8-16 x 3-1/2"	330-1220	24	330-1220	32	330-1220	48	330-1220	32	330-1220	48	330-1220	48
**52.	Hex Nut, 3/8-16	321-1069	24	321-1069	32	321-1069	48	321-1069	32	321-1069	48	321-1069	48
**53.	Hex Head Screw, 1/4"-20 x 1/2"	510-1018	24	510-1018	32	510-1018	48	510-1018	32	510-1018	48	510-1018	48
**54.	Hex Nut, 1/4-20	511-1000	24	511-1000	32	511-1000	48	511-1000	32	511-1000	48	511-1000	48
**55.	Sheet Metal Screw, #10 x 1/2"	330-1127	36	330-1127	48	330-1127	72	330-1127	48	330-1127	60	330-1127	60
	SUPPORT PACK 4 CARTON - 52"	—	—	0-8852-411	2	—	—	0-8852-411	2	0-8852-411	1	0-8852-411	1
	SUPPORT PACK 6 CARTON - 52"	0-8852-611	1	—	—	0-8852-611	2	—	—	0-8852-611	1	0-8852-611	1
56.	Side Vertical - 52"	580-2466	6	580-2466	8	580-2466	12	580-2466	8	580-2466	10	580-2466	10

\* Used with stretch-in liners only.

\*\* Screws are available in most hardware stores.

\*\*\* Write the number of your liner in the spaces provided here and above. # \_\_\_\_\_.

\*\*\*\* For use with E-Z Clip Liners only.

\*\*\*\*\* For additional patch kits order Part No. 0-5604-000.

\*\*\*\*\* Used only for pools with deep swimming areas.

		32' x 12'	
ITEM #	DESCRIPTION	PART #	QTY.
	<b>ASSEMBLY PACK</b>	0-9922-617	1
*1.	Plastic Coping, 24"	545-1001	41
2.	Vertical End Cap-Top	580-2286	10
3.	Vertical End Cap-Bottom	580-1949	10
4.	Stabilizer Rail, small dia.	583-1012	8
5.	Stabilizer Rail, large dia.	583-1011	16
6.	Bottom Rail (Stamped)	589-1046	12
7.	Side Rail (Stamped S)	589-1052	8
8.	Bottom Rail (Stamped TR)	—	
9.	See Below	—	
10.	Outer conn. bracket (non-painted)	580-2159	10
10a.	Outer conn. bracket (painted) sides only	580-2465	10
**11.	Screw, #10 x 1/2"	330-1127	140
**12.	#10-24 sq. nut	321-1025	10
13.	#10-24 x 1/2" MS screw	510-1008	10
14.	Side Vertical End Cap	580-2056	10
15.	Pool Parts List	573-5957	1
16.	Pool Installation Instructions	573-3644	1
17.	"Read Me First" Booklet	573-3169	1
18.	#14 x 1/2" slot hd screw	330-1075	20
19.	#10 x 1/2" sheet ms	330-1127	10
20.	Warranty Card - Metal	—	1
21.	Top Rail	—	
	<b>TOP CONNECTOR PACK</b>	0-9999-920	1
9.	Top connector	340-2820	20
	<b>VERTICAL PACK - 52" POOLS</b>	0-9710-617	1
22.	Vertical - 52"	341-1540	10
	<b>TOP RAIL PACK</b>	0-9801-617	2
23.	Top Rail	587-1985	20
	<b>POOL LINER CARTON</b>		
***24.	Pool Liner	0- - -	1
****25.	E-Z Clip Liner Installation Instructions	573-3039	1
26.	Chlorine/Winterizing Instructions	573-2421	1
27.	Installation Instruction Insert	369-1145	1
28.	"Warning" Decal	560-1041	3
29.	Warranty Card - Liner	—	1
****30.	Repair Patch	564-1000	1
*****31.	"Deeper" Area Decal	560-1042	2
32.	"Shallow" Decal, 3-1/2 ft.	560-1043	3
33.	"Shallow" Decal, 3-3/4 ft.	560-1056	3
34.	Shallow Decal Insert Sheet	369-1216	1
35.	"Read Me First" Booklet	573-3169	1
	<b>SIDEWALL CARTON</b>		
36.	Sidewall - 52" Pools	0-0017-022	2
37.	Cover Plate - Large (not shown)	580-2467	2
38.	Cover Plate - Small (not shown)	580-2468	2
39.	Joint Piece - 52"	580-1914	2
40.	"Warning" Sign	560-1046	2
41.	"Read Me First" Booklet	573-3169	2
42.	Adhesive Squares	310-1034	12
43.	Safety Video	573-3498	2
	<b>SUPPORT BASE PACK 4 — CARTON</b>	0-8888-204	1
	<b>SUPPORT BASE PACK 6 — CARTON</b>	0-8888-206	1
44.	Skid Support	580-1779	10
45.	Ground Support - Top	580-2071	10
46.	Ground Support - Bottom	580-2072	10
47.	Pressure Pad - Outside	580-1869	10
48.	Pressure Pad - Side Vertical	580-1870	10
49.	Bottom Rail Locator	580-1792	10
**50.	Hex Washer Head Screw #12 x 3/4"	510-1035	60
**51.	Hex Head Bolt, 3/8-16 x 3-1/2"	330-1220	40
**52.	Hex Nut, 3/8-16	321-1069	40
**53.	Hex Head Screw, 1/4"-20 x 1/2"	510-1018	40
**54.	Hex Nut, 1/4-20	511-1000	40
**55.	Sheet Metal Screw, #10 x 1/2"	330-1127	60
	<b>SUPPORT PACK 4 CARTON - 52"</b>	0-8852-411	1
	<b>SUPPORT PACK 6 CARTON - 52"</b>	0-8852-611	1
56.	Side Vertical - 52"	580-2466	10

\* Used with stretch-in liners only.

\*\* Screws are available in most hardware stores.

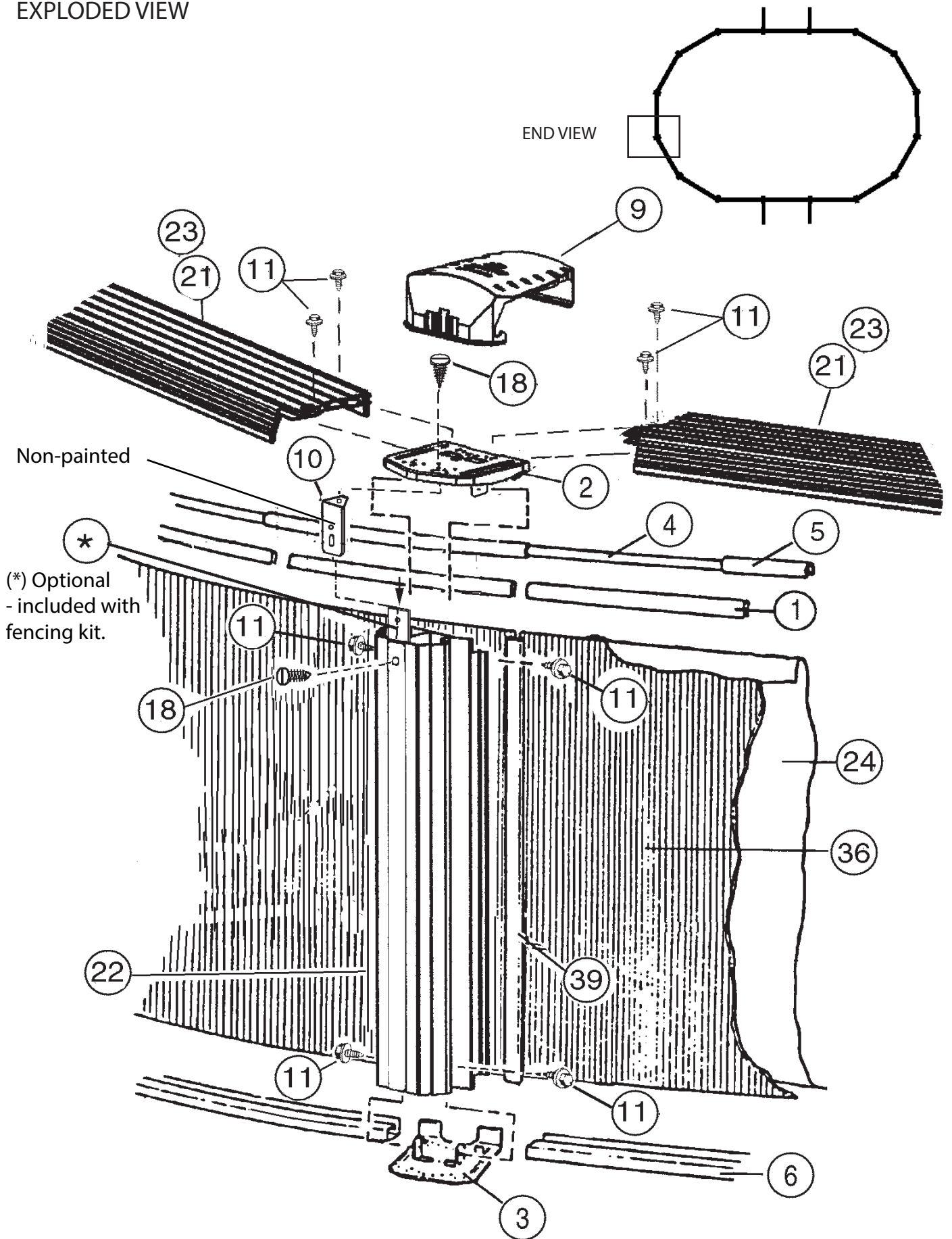
\*\*\* Write the number of your liner in the spaces provided here and above. # \_\_\_\_\_.

\*\*\*\* For use with E-Z Clip Liners only.

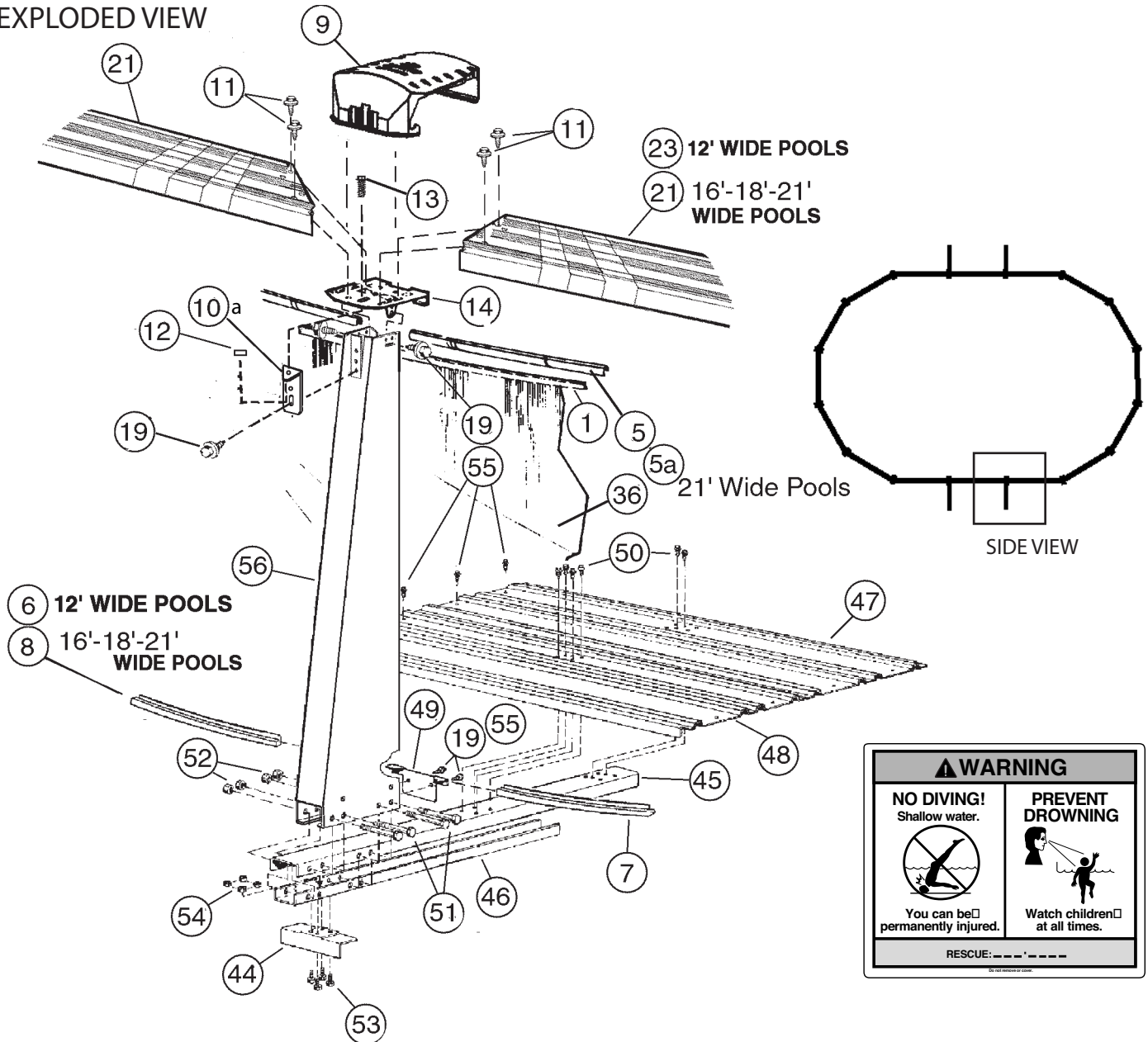
\*\*\*\*\* For additional patch kits order Part No. 0-5604-000.

\*\*\*\*\* Used only for pools with deep swimming areas.

EXPLODED VIEW



EXPLODED VIEW



**Important!** Above-ground pools are designed for swimming and wading only. Do not Dive or Jump! Misuse of your pool may result in crippling injury and/or other dangers to life and health. Do not use slides, diving boards, or any other platform or object which can be used for improper pool entry. Use only an above-ground swimming pool ladder or entry system to enter or exit your pool. Never attempt to swim or reach behind ladders or any other pool entry system. It is the pool owner's responsibility to secure the pool against unauthorized, unsupervised or unintentional entry. It is also the pool owner's responsibility to warn all pool users of the hazards of diving into shallow water: paralyzing injury may result. Always obey all safety rules. Remember, pool safety is everybody's responsibility.

Safety decals and caution information provided with your pool have been endorsed by the U.S. Consumer Product Safety Commission. It is mandatory that the pool owner and installer follow the installation and use directions for all provided safety signs and decals. Juveniles must be supervised at all times by a responsible adult as directed by the USCPSC.

Change of Design: Doughboy Recreational expressly reserves the right to change or modify the design and construction of any product in due course of their manufacturing procedures, without incurring any obligation to furnish or install such changes or modifications on products previously or subsequently sold.

DOUGHBOY RECREATIONAL • 315 N. Sebastian St. • West Helena, AR 72390  
 Visit our website at [www.doughboypools.com](http://www.doughboypools.com)